

Unit Number

**B-7058**

**CRESTLINE®**

## ***New Tour Bus For Sale***



(Photos of Similar Bus, actual bus is white)

### ***2009 Chev C5500 Goshen GCII Tour Bus***

- **Seating Capacity: 24 Passengers with Rear Luggage plus Driver**
- Overall Length = 355", Overall Width = 96"

#### **Chassis Specifications:**

- Chevrolet C5500 Cutaway Chassis; Wheelbase = 233", 19,500 GVWR
- Duramax 6.6L 300HP Diesel Engine; 5 Speed Allison Automatic; 1000W Engine Block Heater
- VIN # 1GDE5V1969F404475
- 4-wheel 4-channel anti-lock brakes
- 5-speed Allison 1000 Series automatic transmission w/OD, includes column, shift trans oil cooler, air-to-oil aux cooler
- Under hood air cleaner restriction gauge
- OEM fast idle
- 750CCA Delphi HD Freedom BS 31-750 dual batteries w/1500 total CCA
- 105 amp dual alternators
- Auto engine shutdown & alarm includes oil pressure, water level/water temp monitoring. Activated by low or high engine oil pressure & high coolant temperature
- 7000# I-Beam Wide Trac front axle
- 7000# Tapered Leaf front suspension
- 13500# single speed rear axle

7/12/2010

<b>CALL TOLL FREE:</b>			
In Alberta & NT, Call	In Saskatchewan & Manitoba, Call	In Ontario, Call	Quebec & Atlantic Canada, Call
<b>1-888-887-6886</b>	<b>1-888-887-6886</b>	<b>1-888-630-7010 (Retail)</b> <b>1-888-465-0466 (Municipal)</b>	<b>1-877-847-6998</b>

# B-7058



- 13500# Tapered Leaf rear suspension
- Rear stabilizer bar
- Shuttle Bus package
- Tilt steering wheel, Cruise control
- Intermittent windshield wipers w/pulse washers
- Air conditioning
- Dual note electric horn
- "Dark Pewter" interior trim
- Driver side air bag
- Frame mounted front tow hooks
- Deluxe front appearance pkg including uplevel, fixed grille, chromed steel front bumper, quad headlamps w/painted bezels
- 60 gallon single fuel tank
- Tilting hood

### Conversion Specifications:

- Exhaust re-route to streetside
- Z-Tech Rust proofing and Undercoating
- Tear two hooks
- Spare tire with underbody mounting kit
- Stainless steel wheel liners with extension valves
- Rear Bumper painted white
- Rear Mor/Ryde suspension system
- Plywood sub floor 3/4" exterior grade
- Underbody foam insulation
- Grey rubber flooring with radius
- Grey carpet on walls
- White step nosing
- 36" Electric entry door with exterior key switch
- Front cab window
- Roof Hatch
- Two rear 65,000btu heaters with circulating booster pump, heater lines are insulated
- Rear Air Conditioning 68,000BTU, roof top condenser
- Espar 7 day programmable timer for heater
- Rear backup alarm
- Rear backup Camera
- Alarm – Emergency Window Ajar Package
- AM/FM/CD/PA stereo system 6 speakers
- DVD Player with (4) 10" LCD Flip down monitors
- LED Interior Step Well Lights (2)
- LED Interior dome lights
- LED Interior dome lights activated when entry door open
- LED Marker and Clearance Lights
- LED Running Lights
- LED Tail lights (Amber / Red)
- LED Midship Turn Signal Lights
- LED Rear centre mount brake light

7/12/2010

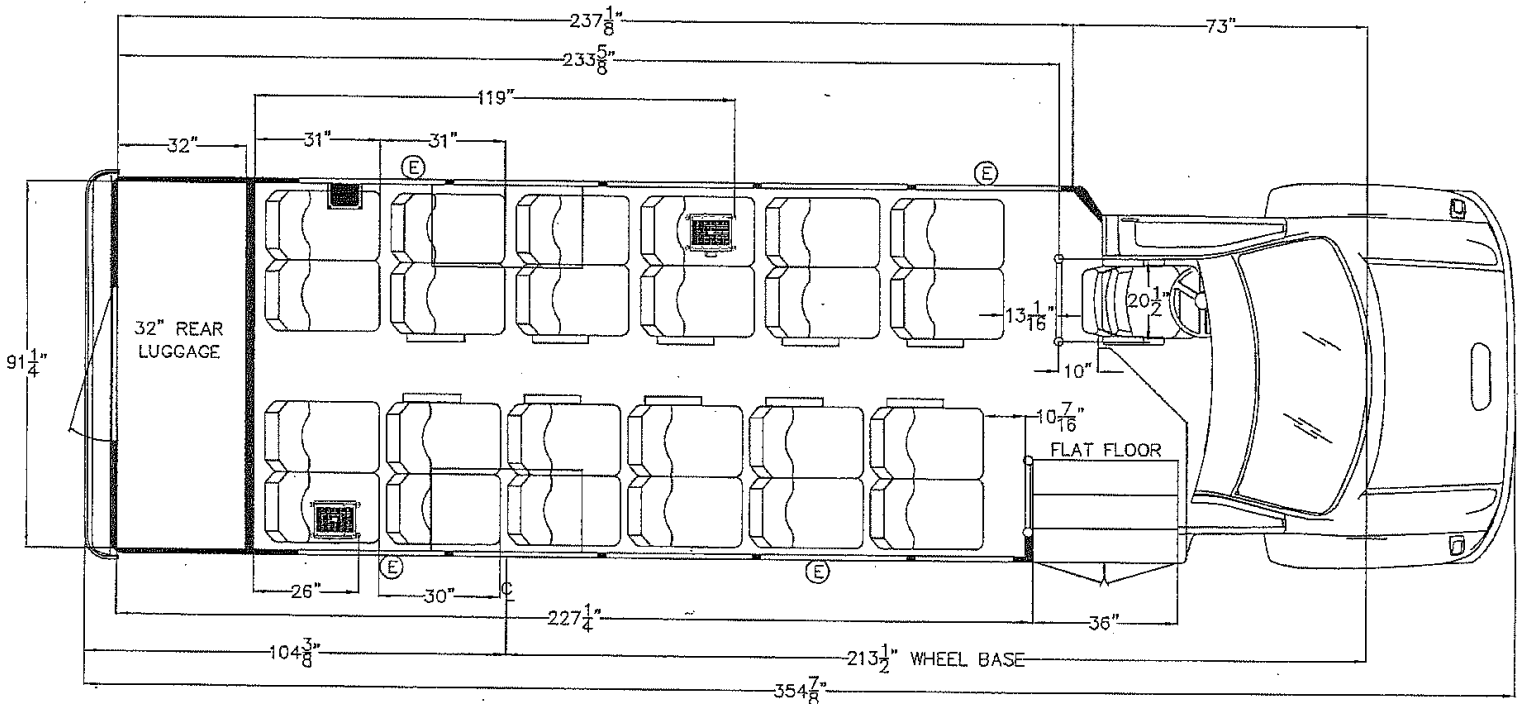
CALL TOLL FREE:			
In Alberta & NT, Call	In Saskatchewan & Manitoba, Call	In Ontario, Call	Quebec & Atlantic Canada, Call
<b>1-888-887-6886</b>	<b>1-888-887-6886</b>	<b>1-888-630-7010 (Retail)</b> <b>1-888-465-0466 (Municipal)</b>	<b>1-877-847-6998</b>

Unit Number

# B-7058



- Exterior Light at Entry Door
- Front Cabover Window
- Drivers Coat Hook
- Modesty Panel – Plexiglass top tinted – Behind Driver
- Overhead interior luggage with individual reading lights
- Rear Luggage with rear door – Includes Shelves, Step & Light
- Exterior fiberglass wall skins and skirts
- Rosco exterior mirrors, heated and remote
- Interior 6"x16" flat mirror
- Decals - Interior English & French
- Decal - Vehicle Height
- Decals - Exterior Standard Graphics Blue
- Driver Seat Freedman CL67 Air Seat with Right Hand Armrest
- 12 - Freedman Double Hi-Back Recliner Seats with Armrests and Under Seat Retractable Seatbelts
- 12 - Aisle side seat sliders for improved passenger comfort
- All passenger seats include Level 4 CMI Fabric #155 Pennant Blue
- Safety equipment included (triangle kit, fire extinguisher, first aid kit)
- Vehicle Operators and Parts Manual Included

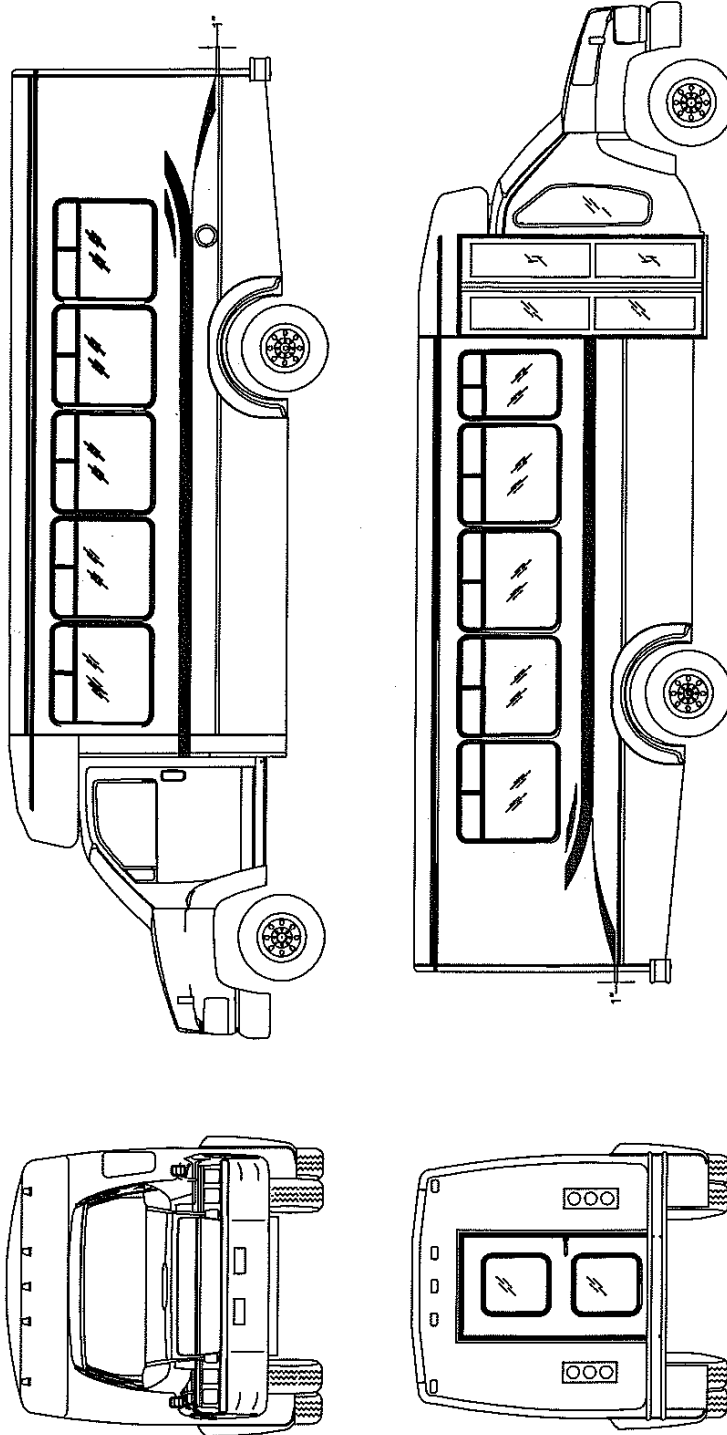


7/12/2010

CALL TOLL FREE:			
In Alberta & NT, Call	In Saskatchewan & Manitoba, Call	In Ontario, Call	Quebec & Atlantic Canada, Call
<b>1-888-887-6886</b>	<b>1-888-887-6886</b>	<b>1-888-630-7010 (Retail)</b> <b>1-888-465-0466 (Municipal)</b>	<b>1-877-847-6998</b>

Unit Number  
**B-7058**

# CRESTLINE®



7/12/2010

CALL TOLL FREE:			
In Alberta & NT, Call	In Saskatchewan & Manitoba, Call	In Ontario, Call	Quebec & Atlantic Canada, Call
<b>1-888-887-6886</b>	<b>1-888-887-6886</b>	<b>1-888-630-7010 (Retail)</b> <b>1-888-465-0466 (Municipal)</b>	<b>1-877-847-6998</b>